

SHEET NO : 03

ALL DIMENSIONS ARE IN CMS
DO NOT MEASURE THIS DRAWING

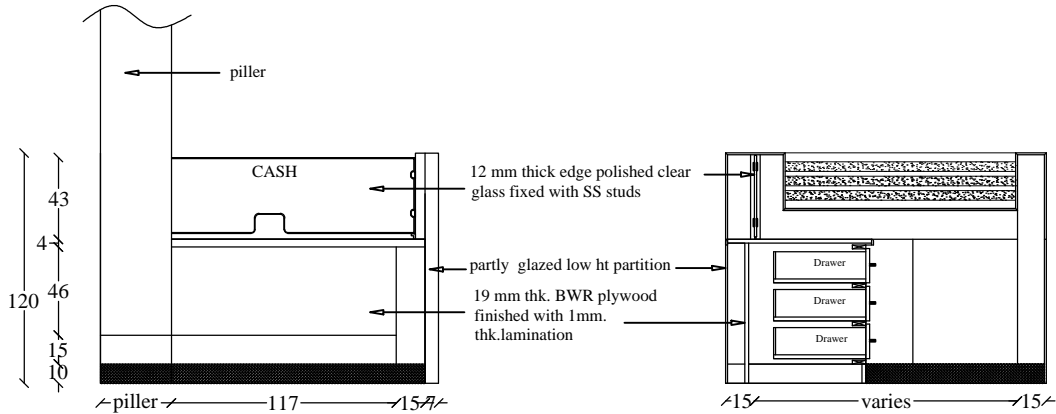
CLIENT: UNITED INDIA INSURANCE
DIVISIONAL OFFICE-PATNAMAMHITTA
APPD. BY : A. DEY DATE :09-03-2018 REV. NO. :0
DRAWN BY : JKC NOTATION :

SCALE :SCALE TO FIT REF. :
FURNITURE LAYOUT

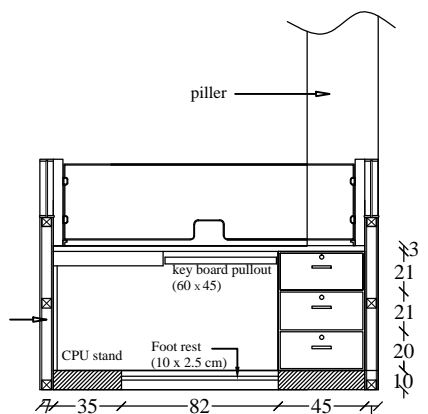
DEARCH ARCHITECTS PRIVATE LIMITED
XX-1, X/61/68, a, Purnima house, ravipuram, kochi - 682015
PHONE :+91 -484-2358949
TELEFAX :+91 484- 2358949
Email: dearcharchi@rediffmail.com

DELHI KOLKATA MUMBAI KOCHI

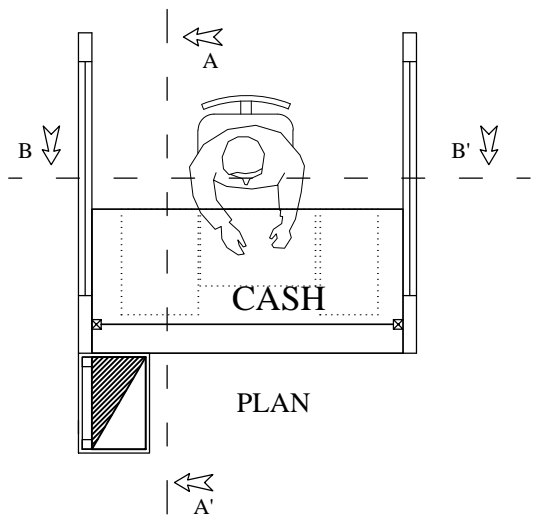
This is the property of DEARCH ARCHITECTS PRIVATE LTD and should be returned after execution. This must not be used by anyone without permission. Any queries in the drawing should be clarified prior to execution.



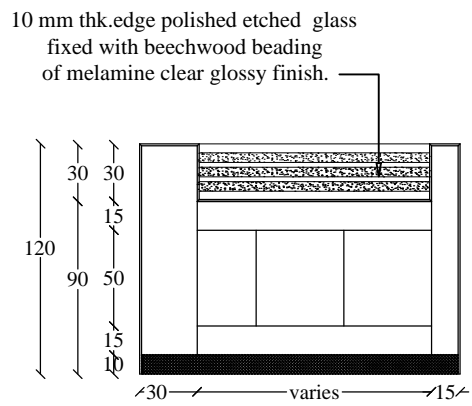
FRONT ELEVATION



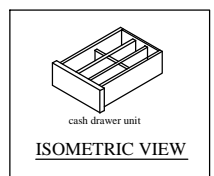
SECTION B,B'



PLAN



SIDE ELEVATION



	NEW MIKA AMPLE MAPLE -3056
	NEW MIKA SAPLE EXOTIC-3355

DETAILS CASH TABLE & PARTITION